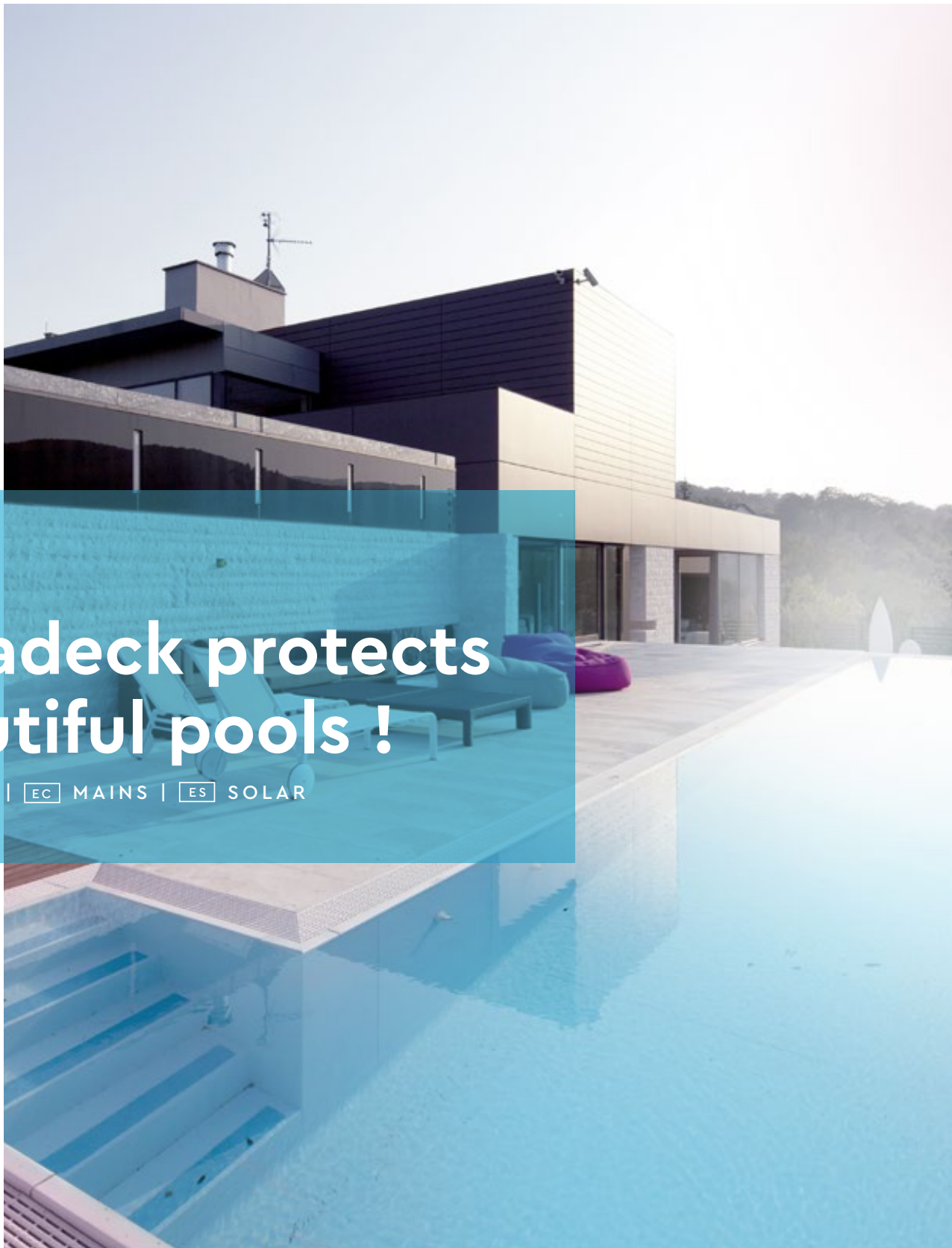


E LINE

Aquadeck protects beautiful pools!

EM MANUAL | **EC** MAINS | **ES** SOLAR





WITH BWT,
YOUR SUMMER
LASTS LONGER!





SAFETY GUARANTEED

An Aquadeck cover, like every BWT cover, is the best available means of preventing accidental falls into a pool.

Aquadeck complies with every stipulation of the French standard NF P 90-308 and allows you to enjoy your pool with complete peace of mind.

TEMPERATE WATER

Aquadeck shelters your pool against cool nights and cold gusting winds. You can begin your pool season in early spring and extend it into late Indian summers.

PURE WATER

Aquadeck covers have an opacity coefficient that inhibits photosynthesis and hence the growth of algae. Your pool water is cleaner thus economising filtration time and water treatment products.

EASY UPKEEP

BWT covers require very little cleaning; they are designed to stay clean. When it comes to winterizing, BWT makes your life even easier: the motor block of the mains version is very light, and can be easily removed by hand in just a few seconds without any tools. Summer and Winter, BWT, offers the best protection.

*Your pool
just as you
imagined it!*



Aquadeck is available in three versions to cater to any configuration: manual, mains or solar.

Read on to discover the model best suited to you.

BECOME AN ECOCITIZEN

By keeping your pool clean and reducing filtration time, Aquadeck saves on energy and on pool chemicals.

Because Aquadeck reduces the quantity of water treatment products necessary, it lessens your pool's ecological impact on the environment.

Lastly, as part of its overall environmental design, the PVC that makes up your cover can be recycled. With Aquadeck, you get cutting edge technology and reduce your environmental foot print.

A SIMPLE, CLEVERLY DESIGNED SYSTEM

Aquadeck is a BWT cover, designed and manufactured by a market leader.

UP TO 100 KG PER M²

Featuring three air cells per slat, and an anti-deflection system that limits inclination of the slats, it is the outright winner in every flotation category.



Legal information

All BWT covers comply with the French standard NF P 90-308 (May 2004 version concerning pool protection) if all items comprising the cover are supplied by Procopi.

Pool safety cover intended to deny children under five access to the pool. This cover is no substitute for common sense or individual responsibility. Nor is it intended to replace the vigilance of parents and/or responsible adults that remains the key factor in ensuring the safety of young children.

New slats!

BWT, THE PERFECT SLAT

BWT slats are the best in every category: exceptional buoyancy, excellent insulation, highly reliable. They were designed to satisfy the most demanding pool owners.

They are also acclaimed by professionals, who appreciate their special contour and cleverly thought out method of assembly.

- Dynamic contour, for excellent transmission of stress loading and easy deployment,
- Resists winding in the wrong direction,
- Attached with hooks,
- Ultrasonically welded end plugs ensure that the slat is completely leaktight.

SLATS THAT SLIDE TOGETHER

The slats, delivered in pre-assembled sets of six, are slid together. With no clipping required, this method of assembly protects the slat hinges. A cleverly designed system, down to the finest detail.

EXCLUSIVE ANTI-TILT MECHANISM

The angle of deflection of the slats is the smallest available on the market (-50° to +15°). This limits the sinking of the slat cover under the weight of a person, and provides better protection in the event of a fall onto the cover.

Featuring rigid slats, each with three air cells, Aquadeck covers are the outright winners in the buoyancy category. An added safety feature.

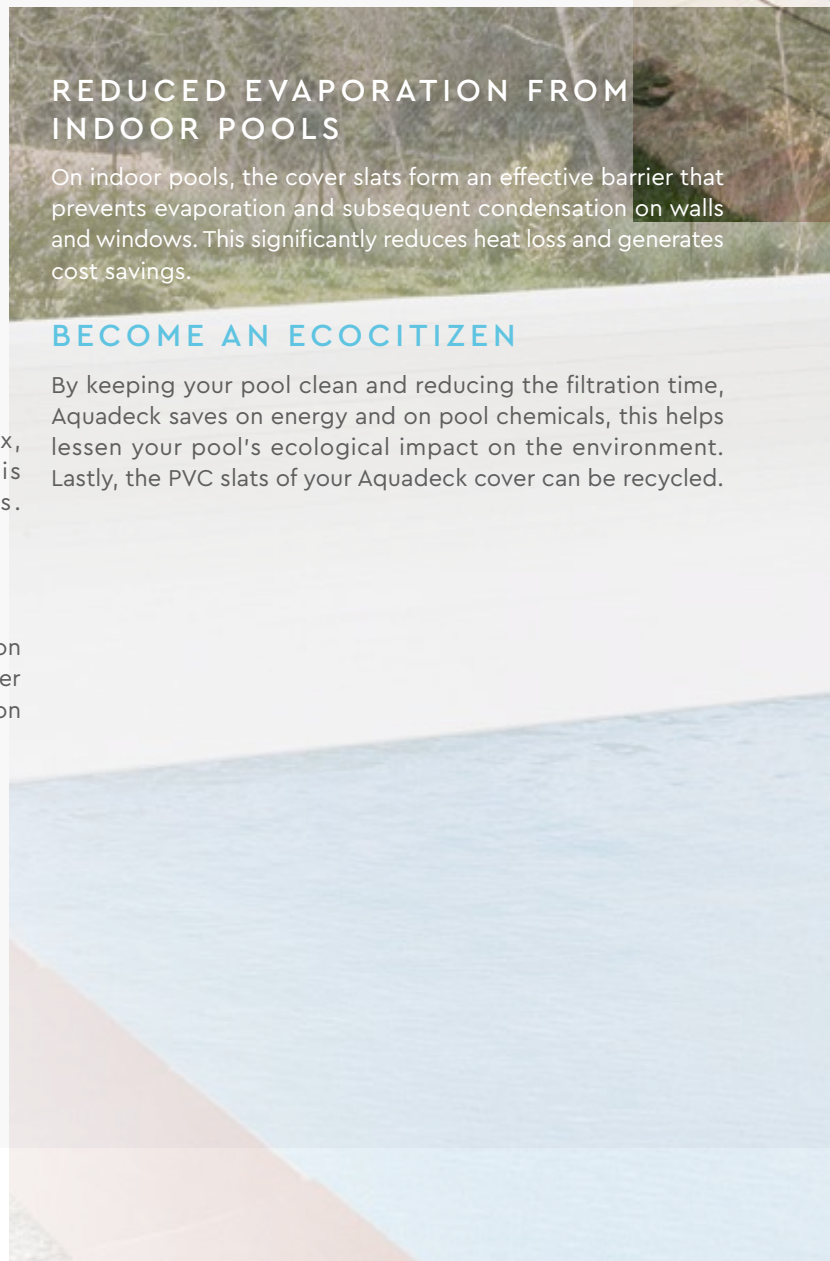
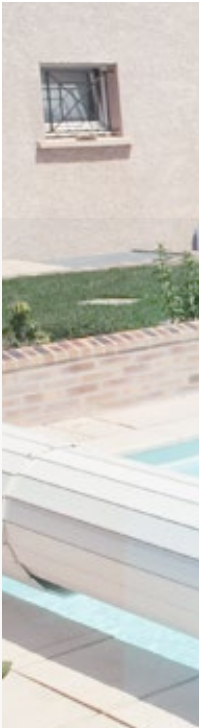
A Procopi exclusive!

REDUCED EVAPORATION FROM INDOOR POOLS

On indoor pools, the cover slats form an effective barrier that prevents evaporation and subsequent condensation on walls and windows. This significantly reduces heat loss and generates cost savings.

BECOME AN ECOCITIZEN

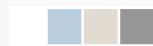
By keeping your pool clean and reducing the filtration time, Aquadeck saves on energy and on pool chemicals, this helps lessen your pool's ecological impact on the environment. Lastly, the PVC slats of your Aquadeck cover can be recycled.





COLOURS

Aquadeck offers a choice of 4 slat colours. Choose yours!



LOCK SAFETY FASTENERS

A wide choice of colours for your BWT Lock safety fasteners.



STEPS

BWT covers can be made to fit straight steps, roman steps, even free-form steps. Two type of finish are available, stepped or smooth.

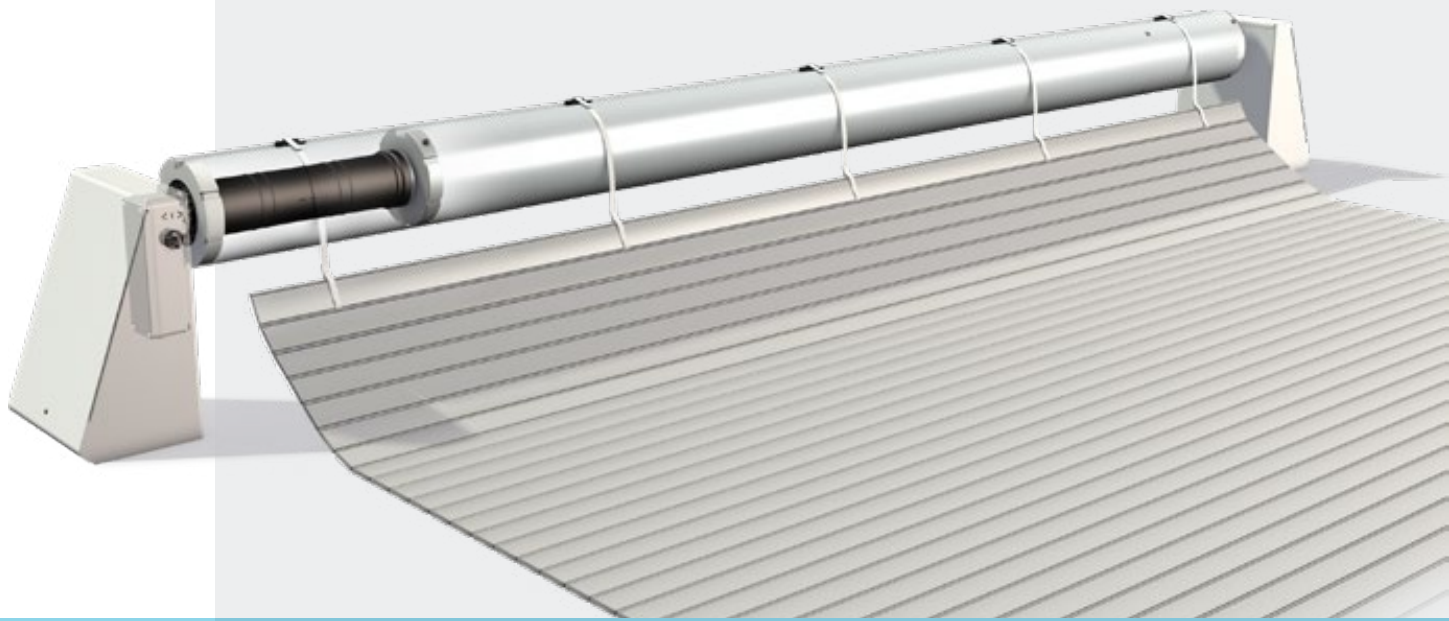


Stepped finish



Smooth finish

EC MAINS VERSION



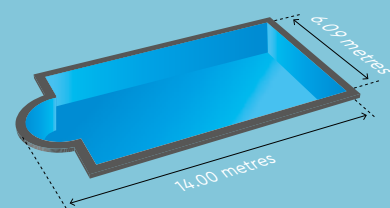
*Quick to install
and easy to use!*

MAINS POWERED MOTORISED
ROLLING MECHANISM WITH
AUTOMATED ENDS OF TRAVEL.

Simple and reliable, this model features a supply panel that is installed in the plant room.

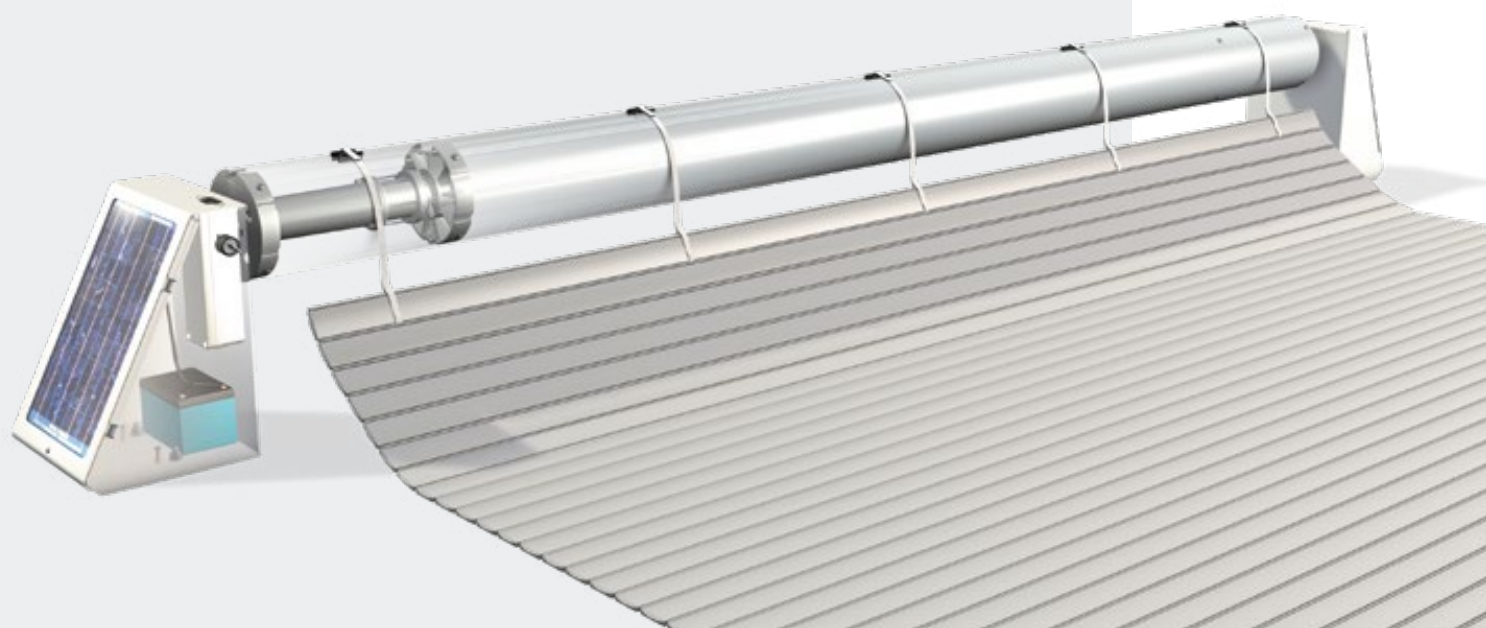
TECHNICAL DATA

Maximum dimensions:
The maximum dimensions of an
Aquadeck EC cover are
6.09 × 14.00 m.



- Operates off a 230V mains supply
- Rolls up in less than 2 minutes (pool 10×5m)
- Push button cover operation.

ES SOLAR VERSION



No wiring!

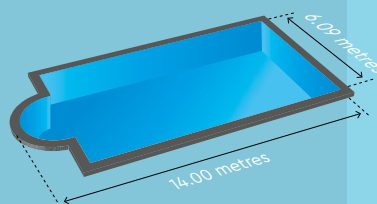
SOLAR POWERED MOTORISED ROLLER

Simple and easy to install, ecological and very economical. This model is fitted with a battery that is recharged by solar energy.

Once completely charged, 30 open/close cycles before the battery needs to be charged again.

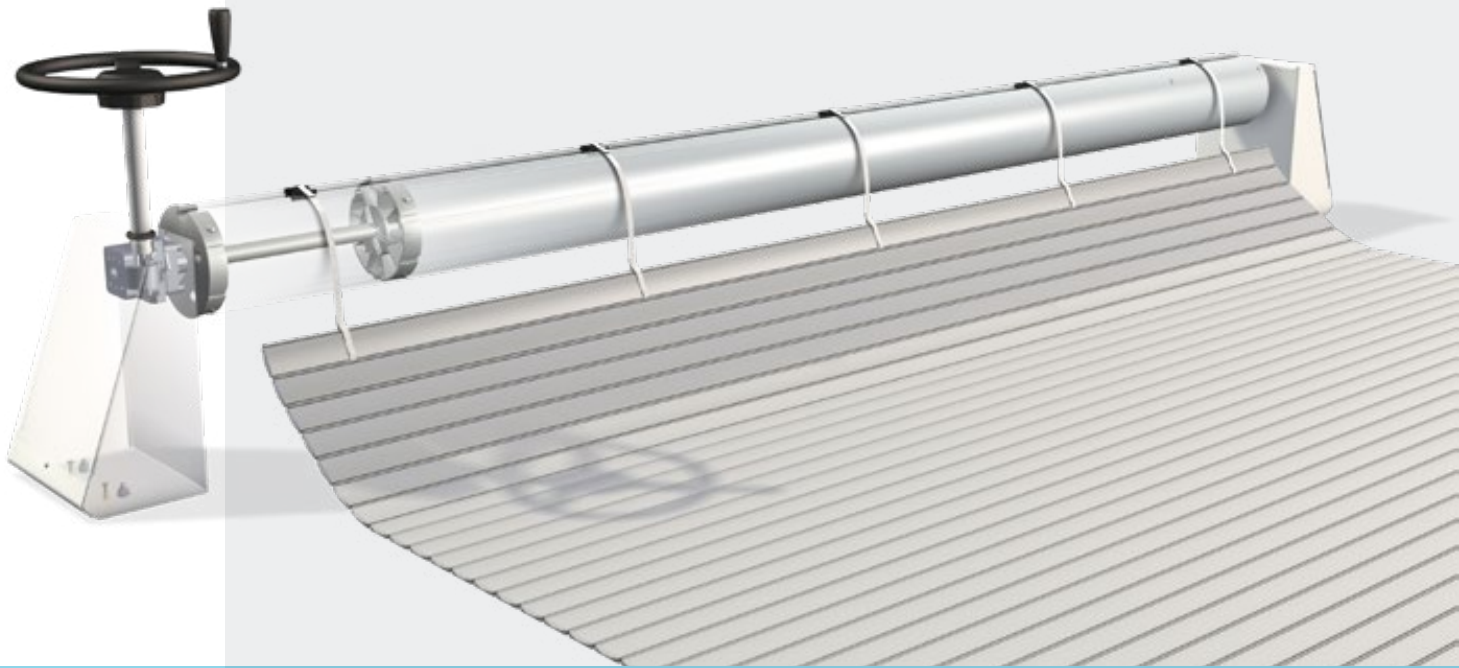
TECHNICAL DATA

Maximum dimensions:
The maximum dimensions of an Aquadeck ES cover are 6.09 × 14.00 m



- Rolls up in less than 2 minutes (pool 10×5m)
- Push button cover operation.

EM MANUAL VERSION



No wires!

HAND OPERATED ROLLER

Fast, easy to install and very economical.

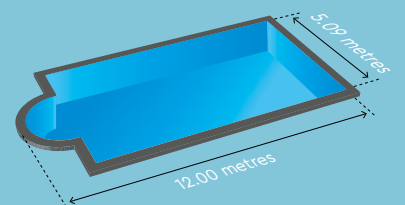
No wiring required.

The cover is rolled out effortlessly by hand using a removable fly wheel fitted with a reduction gear.

TECHNICAL DATA

Maximum dimensions:

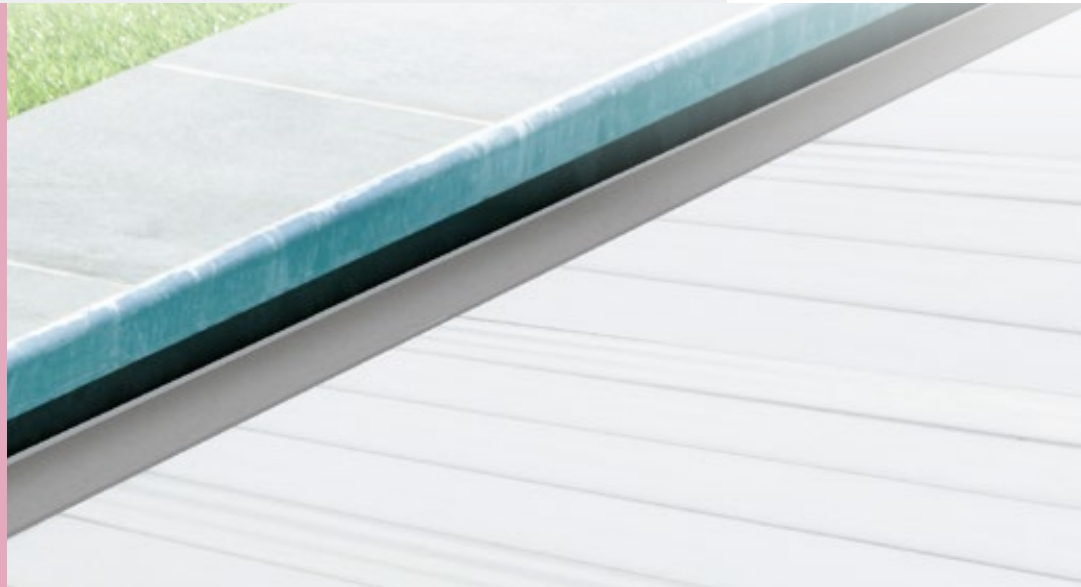
The maximum dimensions of an Aquadeck EM cover are 5.09 x 12.00 metres



WINTERCLEAN P-F

No leaves shall pass!

Compatible with all slats on the market



Simple and efficient

The WinterClean P-F system is comprised of high density polyethylene segments that simply clip onto the slats, filling the gap between the walls and the slats.

Practical

WinterClean P-F can be effortlessly fitted or removed in just a few minutes. WinterClean P-F is sold in 1 m lengths that can be trimmed with a Stanley knife to fit the pool perimeter and navigate obstacles, notably safety fasteners.

Easy to store

WinterClean P-F segments are small and light, making them easy to store while not in use.

Adapts to any pool shape:

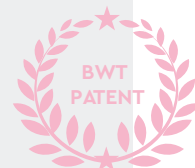
Supple and flexible, WinterClean P-F follows the contour of the pool, whatever its shape.

Discreet

WinterClean P-F come in a range of colours to provide unobtrusive protection for your pool.

Compatible with all slats on the market

WinterClean P-F is compatible with all slats between 10 and 20 mm thick.





PROCOPI S.A.S.

Les Landes d'Apigné – B.P. 45328
35653 LE RHEU Cedex – FRANCE

+ 33 2 99 14 78 78 ☎ + 33 2 99 14 59 05
✉ rennes@procopi.com

procopi.com

Dealer's stamp:

A large, empty rectangular box with a thin black border, intended for a dealer's stamp or signature.